

Temperature Measurement

Temperature & Humidity Sensor with External Probe

TX T&H EXT 600-034



- ✓ External T&H Probe
- ✓ IP65 rugged enclosure
- ✓ LoRaWAN & Enless proprietary LoRa compatible
- ✓ High capacity D-type battery
- ✓ Up to 20 years of autonomy
- ✓ Very long radio range

Technical Specifications

Physical Characteristics	
Protection rating	IP65
Mounting	Wall / Clamp / DIN Rail
Operating temperature	-20 / +55°C
Power supply	3.6V Lithium D-type battery - Replaceable battery
Battery life	10 years for a transmission every 5 minutes (SF9)

Radio	
Supported protocols	LoRaWAN (Class A) and Enless proprietary LoRa
Frequency	868MHz
Addressing	LoRaWAN = DEVEUI, APPEUI, APPKEY (OTAA) Enless proprietary LoRa = Enless LoRa ID
Encryption	LoRaWAN = AES128 Enless proprietary LoRa = no encryption
Transmission power	25mW (14 dBm)

Measurements

Probe type External temperature and humidity probe

Temperature

Probe measurement range -40 / +125°C

Probe accuracy +/- 0.5°C

Probe resolution 0.1°C

Humidity

Probe measurement range 0 - 100% rH

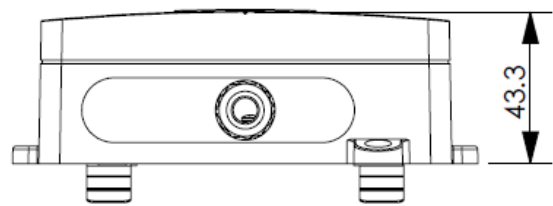
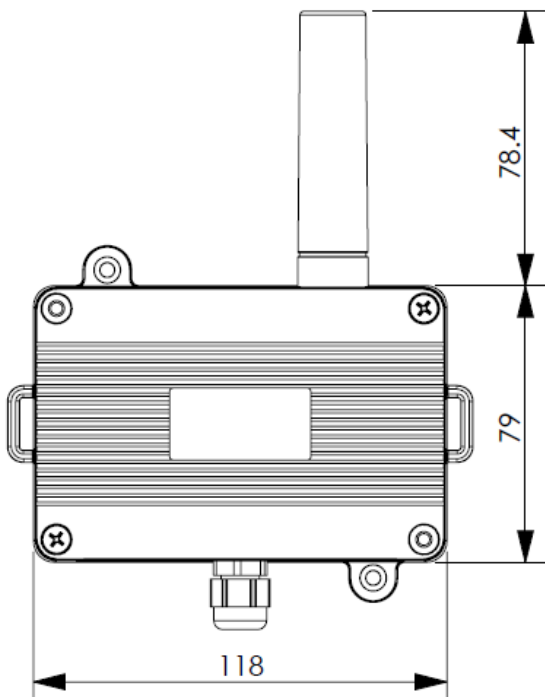
Probe accuracy +/- 2% rH

Probe resolution 0.1°C

Certifications



Dimensions (mm)



DTM49-d

