

Temperature Measurement

Temperature Sensor with Double External Contact Probes

TX TEMP CONT2 600-232



- ✓ Double PT1000 contact probes
- ✓ IP65 rugged enclosure
- ✓ LoRaWAN & Enless proprietary LoRa compatible
- ✓ High-capacity D-type battery
- ✓ Up to 20 years of autonomy
- ✓ Long-range radio

Technical Specifications

Physical Characteristics	
Enclosure Protection Rating	IP65
Mounting	Wall / Clamp / DIN Rail
Operating Temperature	- 20 / + 55°C
Power Supply	3.6V Lithium D-type battery - Replaceable battery
Battery Life	10 years for sending data every 5 minutes (SF9)
Radio	
Supported Protocols	LoRaWAN (Class A) and Enless proprietary LoRa
Frequency	868MHz
Addressing	LoRaWAN = DEVEUI, APPEUI, APPKEY (OTAA) Enless proprietary LoRa = Enless LoRa ID
Encryption	LoRaWAN = AES128 Enless proprietary LoRa = no encryption
Transmission Power	25mW (14 dBm)

Measurements

Probe Type Double PT1000 contact probes (2 wires)

Temperature

Probe Measurement Range -180 / + 250°C

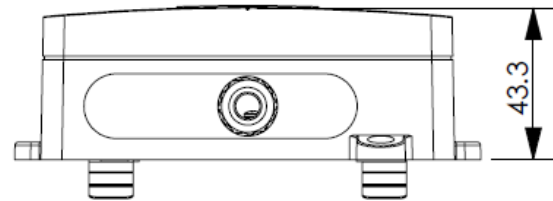
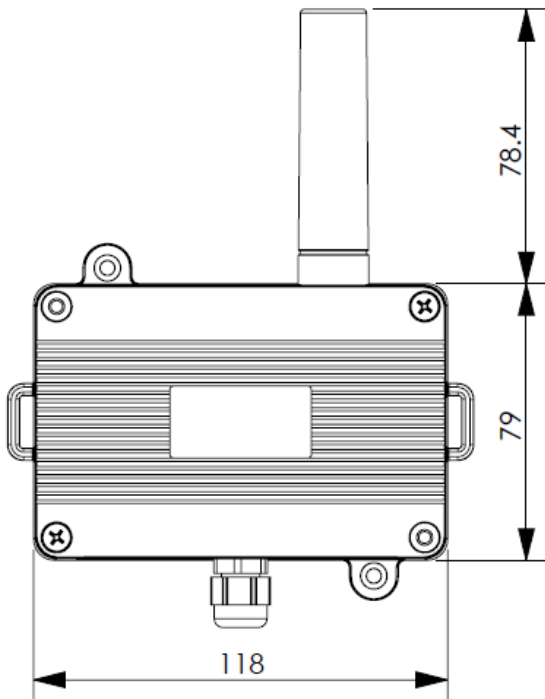
Probe Accuracy +/- 0.5°C

Probe Resolution 0.1°C

Certifications



Dimensions (mm)



DTM48-e

