

Temperature Measurement

Rugged Temperature Sensor

TX TEMP INS 600-031



- ✓ Temperature measurement
- ✓ Suitable for industrial or outdoor environments
- ✓ LoRaWAN & Enless proprietary LoRa compatible
- ✓ High-capacity D-type battery
- ✓ Up to 20 years of autonomy
- ✓ Very long radio range

Technical Specifications

Physical Characteristics

Protection rating	IP65
Mounting	Wall / Clamp / DIN rail
Operating temperature	-20 / +55°C
Power supply	3.6V Lithium D-type battery - Replaceable battery
Battery life	10 years for a transmission every 5 minutes (SF9)

Radio

Supported protocols	LoRaWAN (Class A) and Enless proprietary LoRa
Frequency	868MHz
Addressing	LoRaWAN = DEVEUI, APPEUI, APPKEY (OTAA) Enless proprietary = Enless LoRa ID
Encryption	LoRaWAN = AES128 Enless proprietary = no encryption
Transmission power	25mW (14 dBm)

Measurements

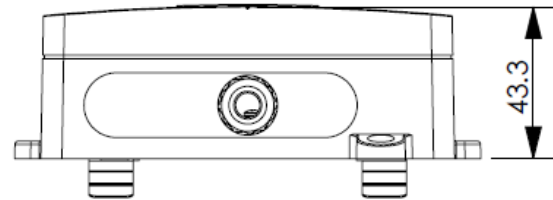
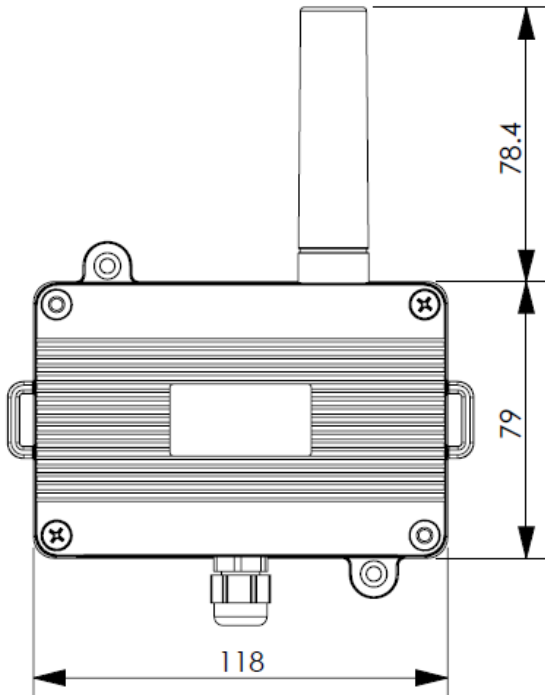
Temperature

Sensor measurement range	-40 / +125°C
Sensor accuracy	+/- 0.2°C
Sensor resolution	0.1°C

Certifications



Dimensions (mm)



DTM46-e

