

Proprietary LoRa Receivers

BACnet Receiver - IP & MSTP

RX BACNET 500-312



- ✓ Can handle 50 Enless sensors
- ✓ Converts received data into BACnet objects
- ✓ BACnet IP and MSTP communication
- ✓ Facilitates integration of Enless sensors into the BMS
- ✓ Power supply 7.5 - 24VDC

Technical Specifications

Physical Characteristics

Protection rating	IP60
Mounting	Wall / Clamp / DIN Rail
Operating temperature	-20 / +55°C
Power supply	External 7.5 to 24VDC (typ. 12V 1A)

Radio

Radio antenna	Antenna not provided (SMA connector) Use of ANT REN SMA LR 1000-008 antenna recommended
Supported protocol	Enless proprietary LoRa
Frequency	868MHz

Configuration

Receiver server	Sensor pairing RSSI level analysis Choice of usage mode (Device mode vs Object mode)
BACnet	Possible sensor configuration from the BACnet objects of the receiver (in Object mode)

Communication with the BMS

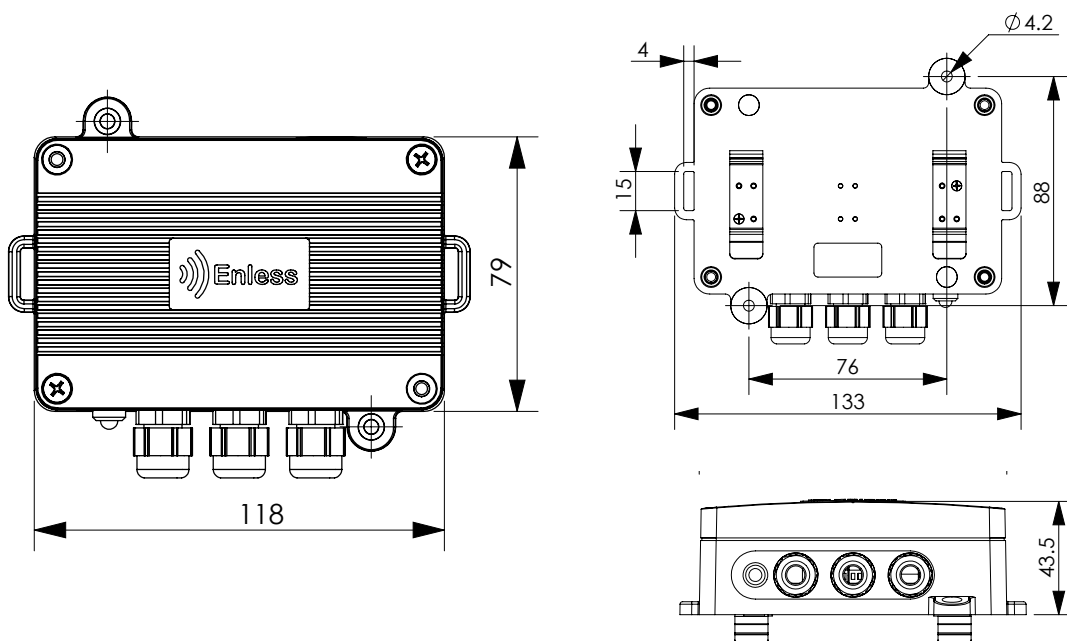
BACnet

Receiver BACnet profile	B-ASC
Connection	IP or MSTP
Device Mode	One BACnet device per paired sensor to the receiver
Object Mode	Single BACnet device for all sensors

Certifications



Dimensions (mm)



DTM55-d