

## Smart Metering Sensors

### LED Flash Counting Sensor

TX PULSE LED 600-038



- ✓ Counting LED flashes from meters
- ✓ Easy installation of the optical reading head
- ✓ LoRaWAN & Enless proprietary LoRa compatible
- ✓ High-capacity D-type battery
- ✓ Up to 20 years of autonomy
- ✓ Very long radio range

### Technical Specifications

#### Physical Characteristics

Protection rating	IP65
Mounting	Murale / Collier / Rail DIN
Operating temperature	-20 / +55°C
Power supply	Replaceable Lithium 3.6V D-type battery
Battery life	8 years for a transmission every 5 minutes (SF9)

#### Radio

Supported protocols	LoRaWAN (Class A) and Enless proprietary LoRa
Frequency	868MHz
Addressing	LoRaWAN = DEVEUI, APPEUI, APPKEY (OTAA) Enless proprietary LoRa = Enless LoRa ID
Encryption	LoRaWAN = AES128 Enless proprietary LoRa = no encryption
Transmission power	25mW (14 dBm)

## Interface

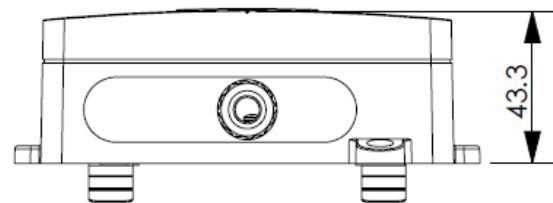
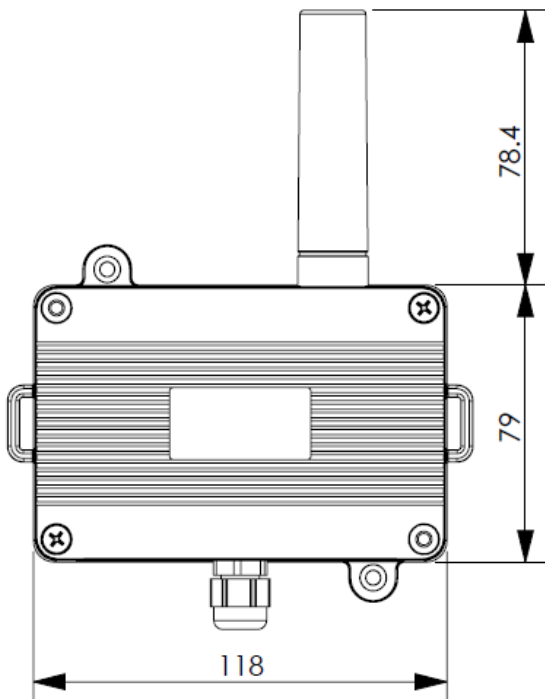
### LED Optical Reading Head

Flash type	All types of flash (except infrared)
Flash duration	Minimum 3ms - Maximum 100ms
Flash frequency	Maximum 10Hz
Number of inputs	1 input
Accessories	Supplied with an adhesive target for mounting on the meter

## Certifications



## Dimensions (mm)



DTM52-e

