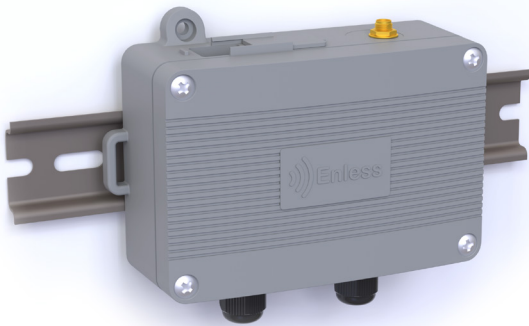


Proprietary LoRa Receivers

Modbus Receiver - TCP/IP & RTU

RX MODBUS 500-302



- ✓ Can handle 50 Enless sensors
- ✓ Converts received data into Modbus table
- ✓ TCP/IP and RTU communication
- ✓ Facilitates integration of Enless sensors into the BMS
- ✓ Power supply 7.5 - 24VDC

Technical Specifications

Physical Characteristics

Protection rating	IP60
Mounting	Wall / Clamp / DIN Rail
Operating temperature	-20 / +55°C
Power supply	External 7.5 to 24VDC (typ. 12V 1A)

Radio

Radio antenna	Antenna not provided (SMA connector) Use of ANT REN SMA LR 1000-008 antenna recommended
Supported protocol	Enless proprietary LoRa
Frequency	868MHz

Configuration

Receiver server	Pairing of sensors Analysis of RSSI levels Visualization of Modbus table
Modbus	Possible configuration of sensors from the receiver's Modbus table

Communication with the BMS

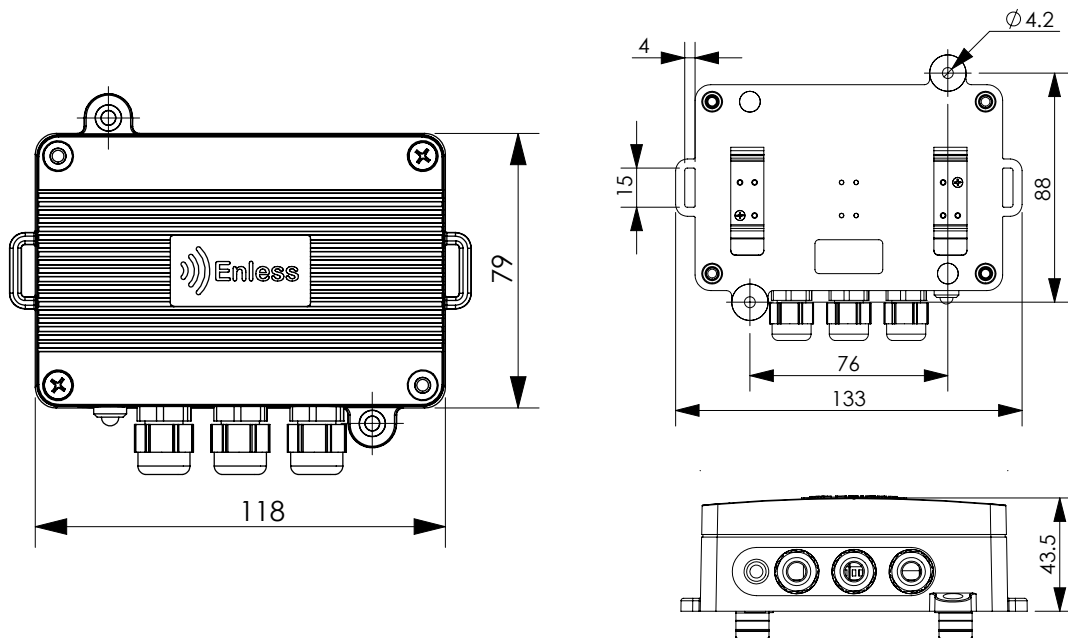
Modbus

Connection	TCP/IP or RTU RS485 / RS232
TCP client	One TCP client at a time

Certifications



Dimensions (mm)



DTM56-h