

Proprietary LoRa Signal Repeater

Signal Repeater

RX REPEATER 600-301



- ✓ Amplifies the signal of Enless sensors
- ✓ Only for use in proprietary Enless LoRa mode
- ✓ No configuration required
- ✓ Power supply 7.5 - 24VDC

Technical Specifications

Physical Characteristics

Protection Rating	IP60
Mounting	Wall / Clamp / DIN Rail
Operating Temperature	-20 / +55°C
Power Supply	External 7.5 to 24VDC (typ. 12V 1A)

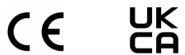
Radio

Radio Antenna	1/4 wave antenna provided (connects to SMA connector)
Supported Protocol	Enless proprietary LoRa
Frequency	868MHz

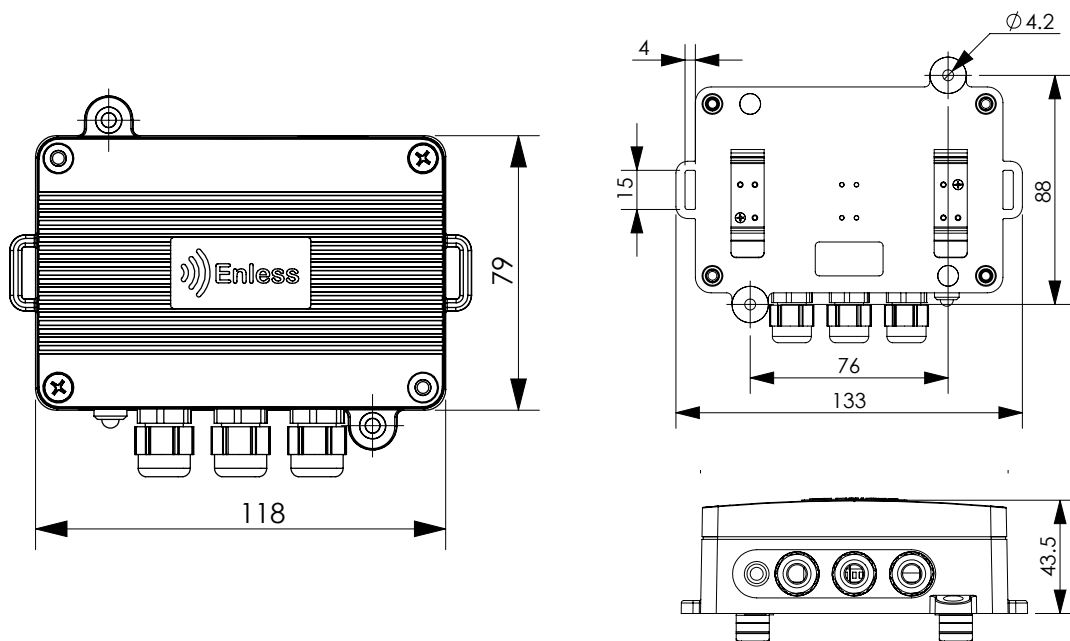
Usage

Configuration	No configuration required
Placement	Halfway between sensor(s) and receiver
Amplification Capacity	No limits on the number of sensors that can be amplified by a repeater
Mesh	Possibility to chain multiple repeaters

Certifications



Dimensions (mm)



DTM57-f