

Industrial Sensors

4/20mA Analog Sensor

TX 4/20 600-035



- ✓ 4/20mA signal reading
- ✓ LoRaWAN & Enless proprietary LoRa compatible
- ✓ High-capacity Type D battery
- ✓ Up to 20 years of autonomy
- ✓ Very long radio range

Technical Specifications

Physical Characteristics

Protection rating	IP65
Mounting	Wall / Clamp / DIN Rail
Operating temperature	-20 / +55°C
Power supply	Replaceable Lithium 3.6V Type D Battery
Battery life	12 years for a transmission every 5 minutes (SF9)

Radio

Supported protocols	LoRaWAN (Class A) and Enless proprietary LoRa
Frequency	868MHz
Addressing	LoRaWAN = DEVEUI, APPEUI, APPKEY (OTAA) Enless proprietary LoRa = Enless LoRa ID
Encryption	LoRaWAN = AES128 Enless proprietary LoRa = No encryption
Transmission power	25mW (14 dBm)

Interface

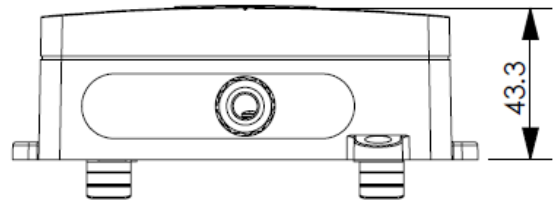
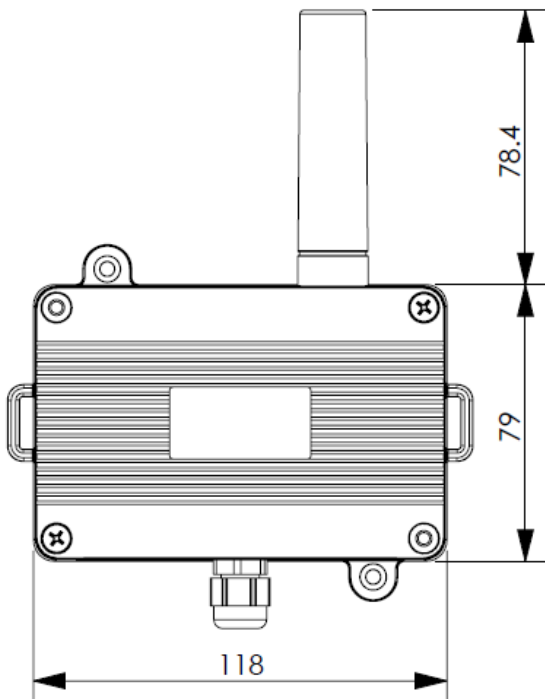
4/20mA

Resolution	12 bits
Input	Terminal block
Power supply for 4/20mA probe	Recommended external power supply Power supply possible through the battery if <3.6V

Certifications



Dimensions (mm)



DTM39-d

