

Industrial Sensors

Contact Transmitter - State Reporting

TX CONTACT 600-039



- ✓ Detection of state changes (ON/OFF)
- ✓ LoRaWAN & Enless proprietary LoRa compatible
- ✓ High capacity D-type battery
- ✓ Up to 20 years of autonomy
- ✓ Very long radio range

Technical Specifications

Physical Characteristics

Protection Rating	IP65
Mounting	Wall / Clamp / DIN Rail
Operating Temperature	-20 / +55°C
Power Supply	3.6V Lithium D-type Battery - Replaceable battery
Battery Life	12 years for sending every 5 minutes (SF9)

Radio

Supported protocols	LoRaWAN (Class A) and Enless proprietary LoRa
Frequency	868MHz
Addressing	LoRaWAN = DEVEUI, APPEUI, APPKEY (OTAA) Enless proprietary LoRa = Enless LoRa ID
Encryption	LoRaWAN = AES128 Enless proprietary LoRa = No encryption
Transmission power	25mW (14 dBm)

Interface

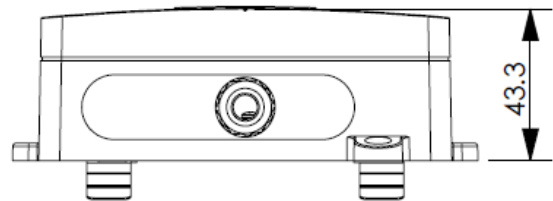
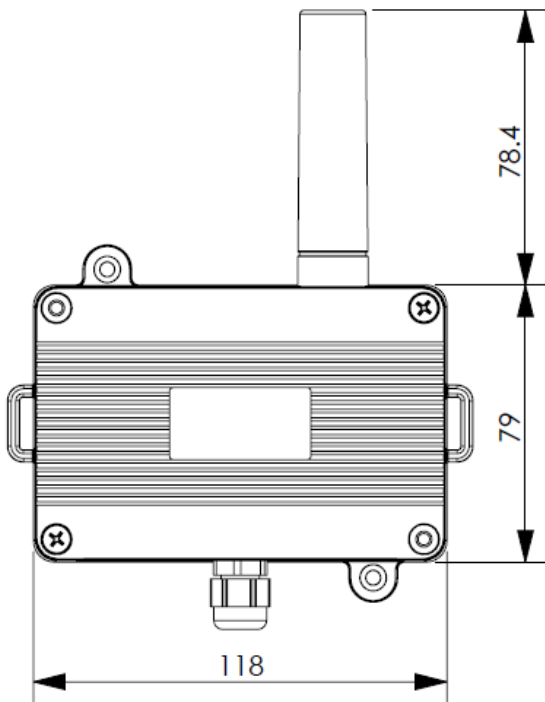
On-Off

Number of Inputs	2 inputs
Input Type	Dry Contact / Open Collector
Messages	Instantly on state change (open/closed) On periodic sending

Certifications



Dimensions (mm)



DTM53-f



+33 (0)5 56 35 97 47



contact@enless.fr



6 Bis Rue du Temple,
33000 Bordeaux, France



www.enless-wireless.com