

Smart Metering Sensors

ATEX Certified Pulse Sensor

TX PULSE ATEX 600-037



- ✓ ATEX Certification - Zone 0
- ✓ Gas meter pulse counting
- ✓ LoRaWAN & Enless proprietary LoRa compatible
- ✓ High-capacity Type D battery
- ✓ Up to 20 years of autonomy
- ✓ Very long radio range

Technical Specifications

Physical Characteristics

Protection Rating	IP65
Mounting	Wall / Clamp / DIN Rail
Operating Temperature	-20 / +55°C
Power Supply	Replaceable Lithium 3.6V Type D Battery
Battery Life	12 years for a transmission every 5 minutes (SF9)

Radio

Supported protocols	LoRaWAN (Class A) and Enless proprietary LoRa
Frequency	868MHz
Addressing	LoRaWAN = DEVEUI, APPEUI, APPKEY (OTAA) Enless proprietary LoRa = Enless LoRa ID
Encryption	LoRaWAN = AES128 Enless proprietary LoRa = no encryption
Transmission power	25mW (14 dBm)

Interface

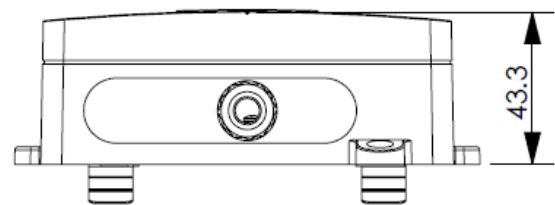
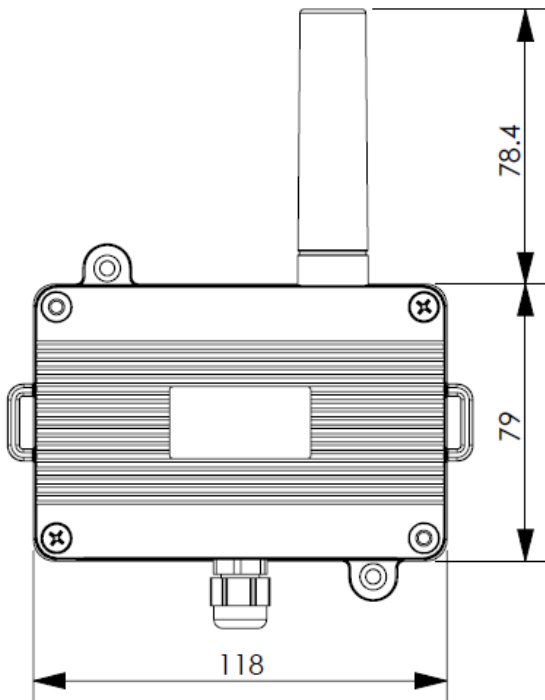
Pulse Inputs

Number of Inputs	2 inputs
Input Type	Dry Contact / Open Collector
Supported Pulse Type	Duration: minimum 50ms Frequency: maximum 10Hz
Additional Function	Debounce

Certifications



Dimensions (mm)



DTM51-f



+33 (0)5 56 35 97 47



contact@enless.fr



6 Bis Rue du Temple,
33000 Bordeaux, France



www.enless-wireless.com