

Industrial Sensors

Actuator transmitter - 2 inputs 4 outputs

TX IO 600-040



- ✓ Control of 4 relay outputs
- ✓ Monitoring of the status (open/closed) of 2 inputs
- ✓ Communication with an Enless receiver
- ✓ Very long radio range
- ✓ Power supply 7.5 - 24V

Technical specifications

Physical characteristics

Protection index housing	IP60
Mounting	Wall / Clamp / DIN rail
Operating temperature	-20 / +55°C
Power supply	External 7.5 to 24VDC (typ. 12V 1A)

Radio

Radio antenna	1/4 wave antenna provided (to be connected to the SMA connector)
Supported protocol	Enless proprietary LoRa
Frequency	868MHz
Addressing	Enless LoRa ID
Transmission power	25mW (14 dBm)

Interfaces

Inputs

Number of inputs 2 inputs

Input type Dry-contact

Outputs

Number of outputs 4 controllable outputs

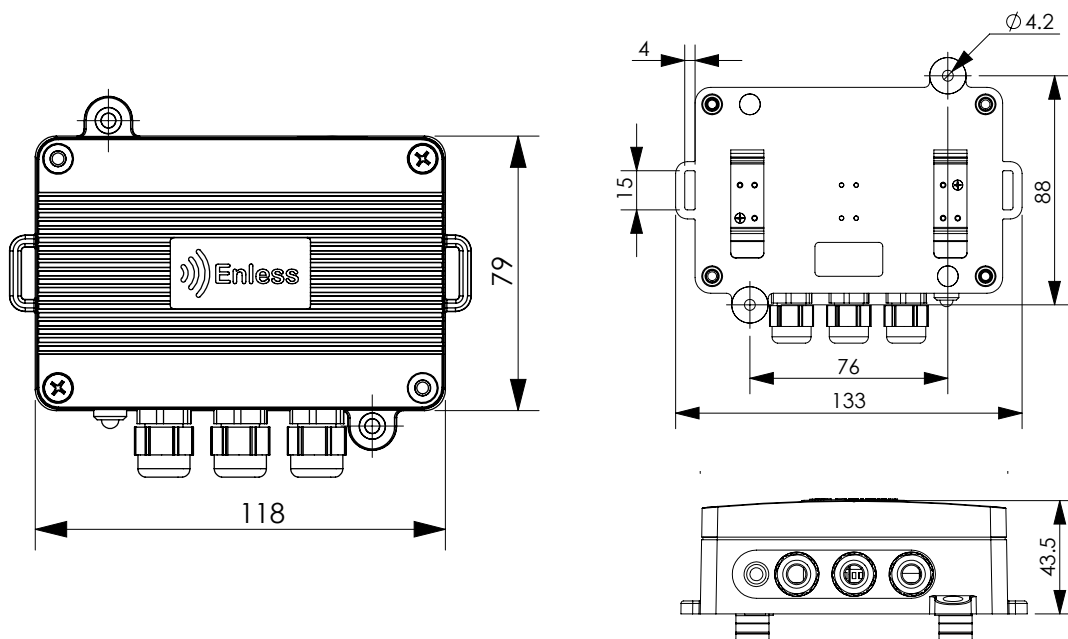
Output type Relay

Relay characteristics
48V
500mA

Certifications



Dimensions (mm)



DTM80-c