

Industrial Sensors

Modbus Master Transmitter

TX MODBUS 600-041



- ✓ Read/write on Modbus slave registers
- ✓ Maximum 60 registers / 10 slaves
- ✓ Data transmission to Enless Modbus receiver
- ✓ Very long radio range
- ✓ Power supply 7.5 - 24V

Technical specifications

Physical Characteristics

Protection rating	IP60
Mounting	Wall / Clamp / DIN Rail
Operating temperature	-20 / +55°C
Power supply	External 7.5 to 24VDC (typ. 12V 1A)

Radio

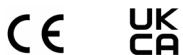
Radio antenna	1/4 wave antenna provided (to be connected to SMA connector)
Supported protocol	Enless proprietary LoRa
Frequency	868MHz
Addressing	Enless LoRa ID
Transmission power	25mW (14 dBm)

Interface

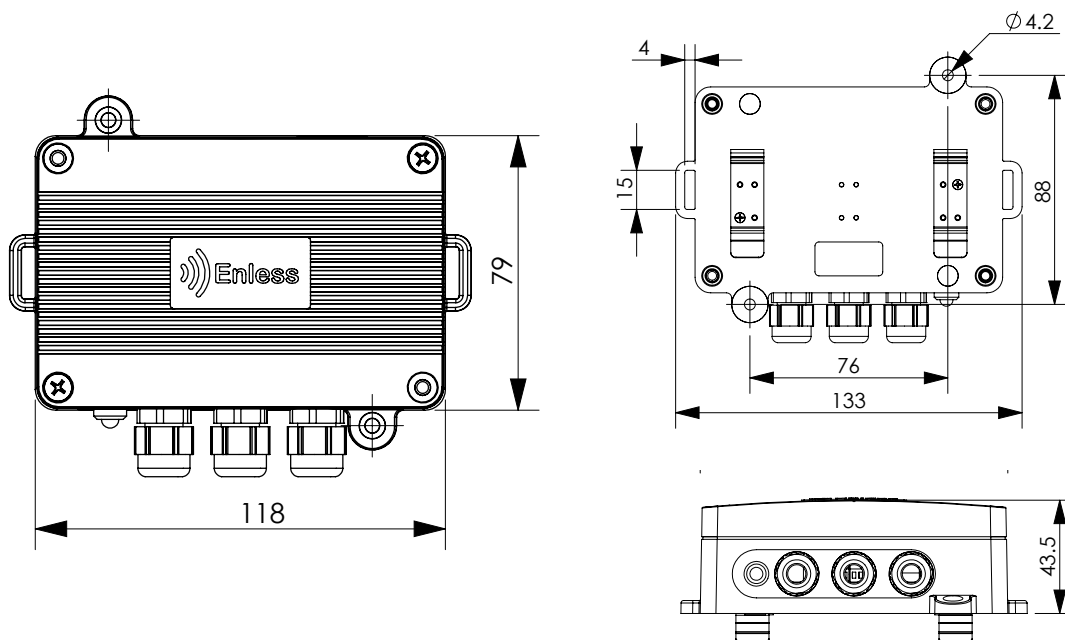
Modbus

Connection	RS485
Supported function codes	01 : Read Coil register 03 : Read Holding register 04 : Read Input register 05 : Write single coil 06 : Write single register 15 : Write multiple coils 16 : Write multiple registers
Number of registers	Read/write in maximum 60 registers
Number of slaves	Distribution of registers on maximum 10 slaves

Certifications



Dimensions (mm)



DTM82-c