

Industrial Sensors

Leak Detection Sensor

TX CONTACT 600-039 + LEAK CABLE



- ✓ Water presence detection (floors, pipelines, machines...)
- ✓ LoRaWAN & Enless proprietary LoRa compatible
- ✓ High capacity D-type battery
- ✓ Up to 20 years of autonomy
- ✓ Very long radio range

Technical Specifications

Physical Characteristics

Protection Rating	IP65
Mounting	Wall / Clamp / DIN Rail
Operating Temperature	-20 / +55°C
Power Supply	3.6V Lithium D-type Battery - Replaceable battery
Battery Life	12 years for sending every 5 minutes (SF9)

Radio

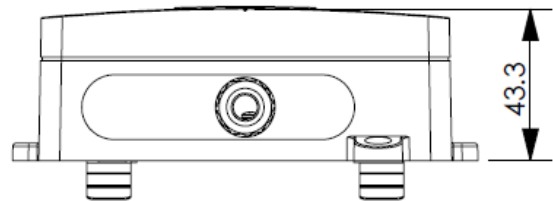
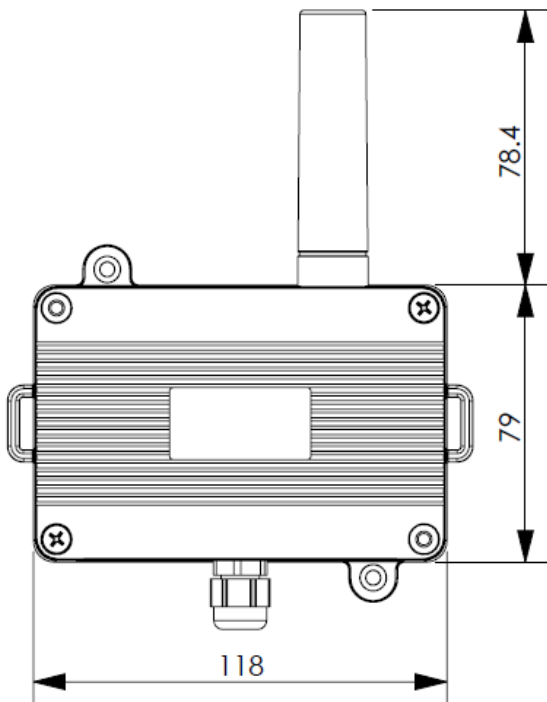
Supported protocols	LoRaWAN (Class A) and Enless proprietary LoRa
Frequency	868MHz
Addressing	LoRaWAN = DEVEUI, APPEUI, APPKEY (OTAA) Enless proprietary LoRa = Enless LoRa ID
Encryption	LoRaWAN = AES128 Enless proprietary LoRa = No encryption
Transmission power	25mW (14 dBm)

Interface	
On-Off	
Probe type	Liquid presence detection cable
Cable length	2 meters
Messages	Instantly on state change in the presence of water Periodic sending

Certifications



Dimensions (mm)



DTM87-c



+33 (0)5 56 35 97 47



contact@enless.fr



6 Bis Rue du Temple,
33000 Bordeaux, France



www.enless-wireless.com