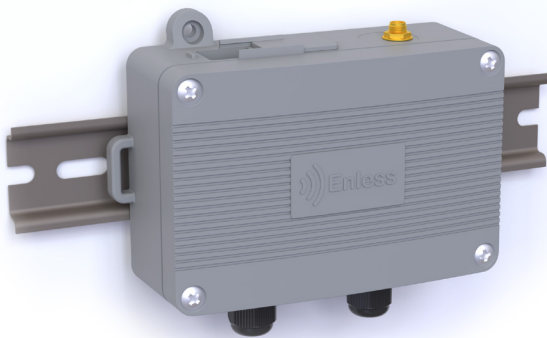


LoRa Receivers (Enless LoRa mode)

BACnet Receiver - IP & MSTP

RX BACNET 500-512



- ✓ Can handle 50 Enless sensors
- ✓ Converts data into BACnet objects
- ✓ BACnet IP and MSTP communication
- ✓ Simplifies Enless sensor integration into BMS
- ✓ Power supply 7.5 - 24VDC

Technical Specifications

Physical Characteristics

Protection rating	NEMA 2 / IP60
Mounting	Wall / Clamp / DIN Rail
Operating temperature	-20 / +55°C
Operating relative humidity	20-80% (non-condensing)
Operating altitude	< 2000m
Power supply	External 7.5 to 24VDC 1A Max (typ. 12V 1A)

Radio

Radio antenna	Antenna not provided (SMA connector) Use of ANT REN SMA LR 1000-008 antenna recommended
Supported protocol	Enless LoRa mode
Frequency	US915

Configuration

Receiver server	Sensor pairing RSSI level analysis Choice of usage mode (Device mode vs Object mode)
BACnet	Possible sensor configuration from the BACnet objects of the receiver (in Object mode)

Communication with the BMS

BACnet

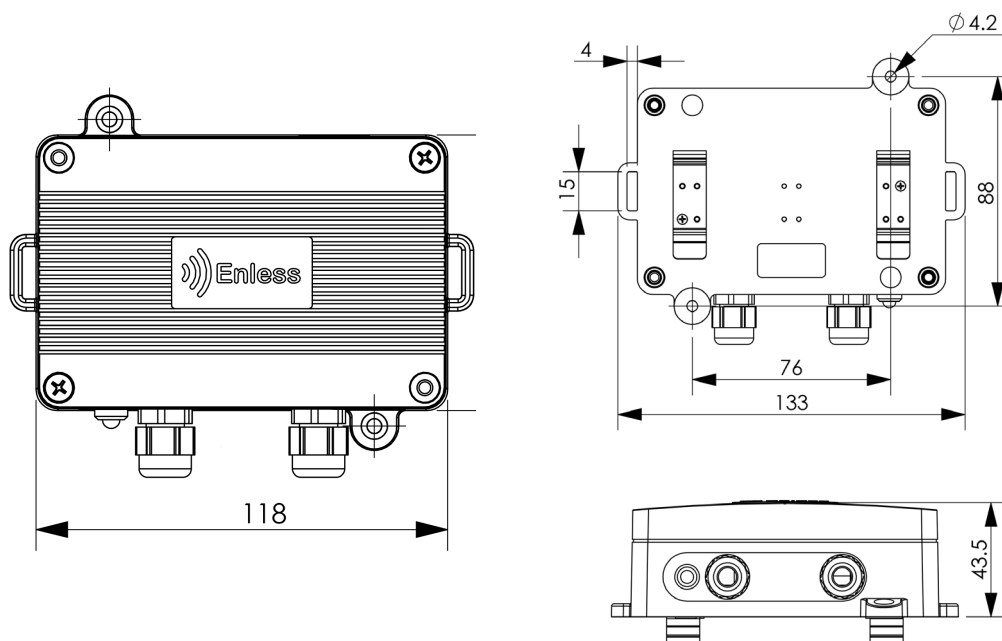
Receiver BACnet profile	B-ASC
Connection	IP or MSTP
Device mode	One BACnet device per paired sensor to the receiver
Object mode	Single BACnet device for all sensors

Certifications



Innovation, Science and
Economic Development Canada

Dimensions (mm)



DTM98-a



+33 (0)5 56 35 97 47



contact@enless.fr



6 Bis Rue du Temple,
33000 Bordeaux, France



www.enless-wireless.com