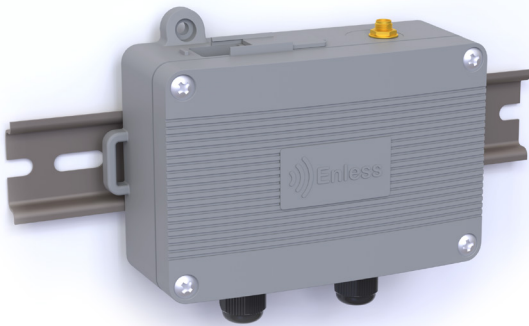


LoRa Receivers (Enless LoRa mode)

Modbus Receiver - TCP/IP & RTU

RX MODBUS 500-502



- ✓ Can handle 50 Enless sensors
- ✓ Converts data into Modbus table
- ✓ TCP/IP and RTU communication
- ✓ Simplifies Enless sensor integration into BMS
- ✓ Power supply 7.5 - 24VDC

Technical Specifications

Physical Characteristics

Protection rating	NEMA 2 / IP60
Mounting	Wall / Clamp / DIN Rail
Operating temperature	-20 / +55°C
Operating relative humidity	20-80% (non-condensing)
Operating altitude	< 2000m
Power supply	External 7.5 to 24VDC 1A Max (typ. 12V 1A)

Radio

Radio antenna	Antenna not provided (SMA connector) Use of ANT REN SMA LR 1000-008 antenna recommended
Supported protocol	Enless LoRa mode
Frequency	US915

Configuration

Receiver server	Pairing of sensors Analysis of RSSI levels Visualization of Modbus table
Modbus	Possible configuration of sensors from the receiver's Modbus table

Communication with the BMS

Modbus

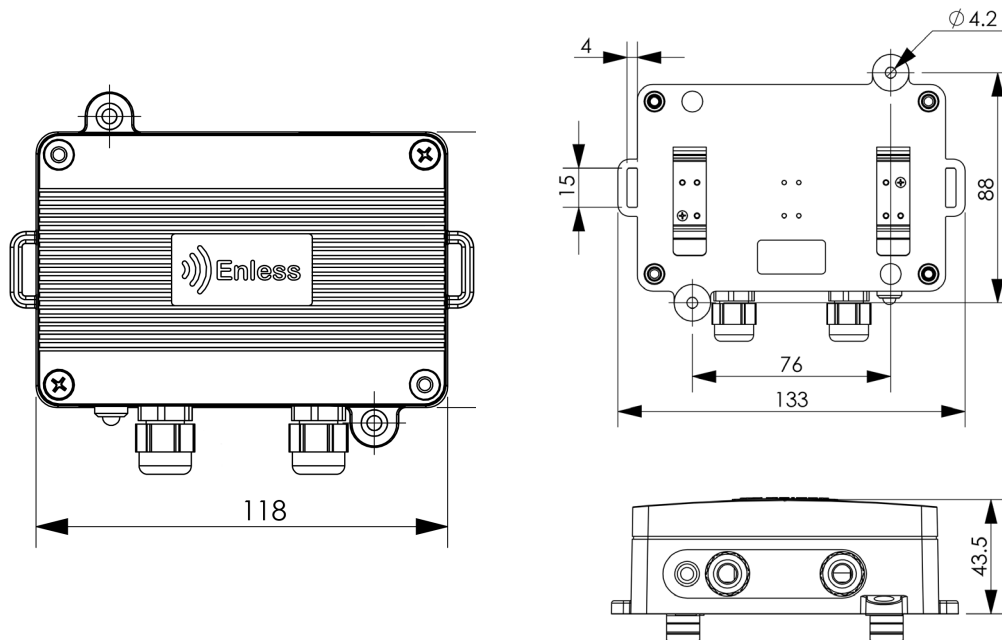
Connection	TCP/IP or RTU RS485 / RS232
TCP client	One TCP client at a time

Certifications



Innovation, Science and
Economic Development Canada

Dimensions (mm)



DTM97-a