

LoRa Repeater (Enless LoRa mode)

Signal Repeater

RX REPEATER 600-501



- ✓ Amplifies the signal of Enless sensors
- ✓ Enless LoRa mode
- ✓ No configuration required
- ✓ Power supply 7.5 - 24VDC

Technical Specifications

Physical Characteristics

Protection rating	NEMA 2 / IP60
Mounting	Wall / Clamp / DIN Rail
Operating temperature	-20 / +55°C
Operating relative humidity	20-80% (non-condensing)
Operating altitude	< 2000m
Power supply	External 7.5 to 24VDC 1A Max (typ. 12V 1A)

Radio

Radio antenna	1/4 wave antenna provided (connects to SMA connector)
Supported protocol	Enless LoRa mode
Frequency	US915

Usage

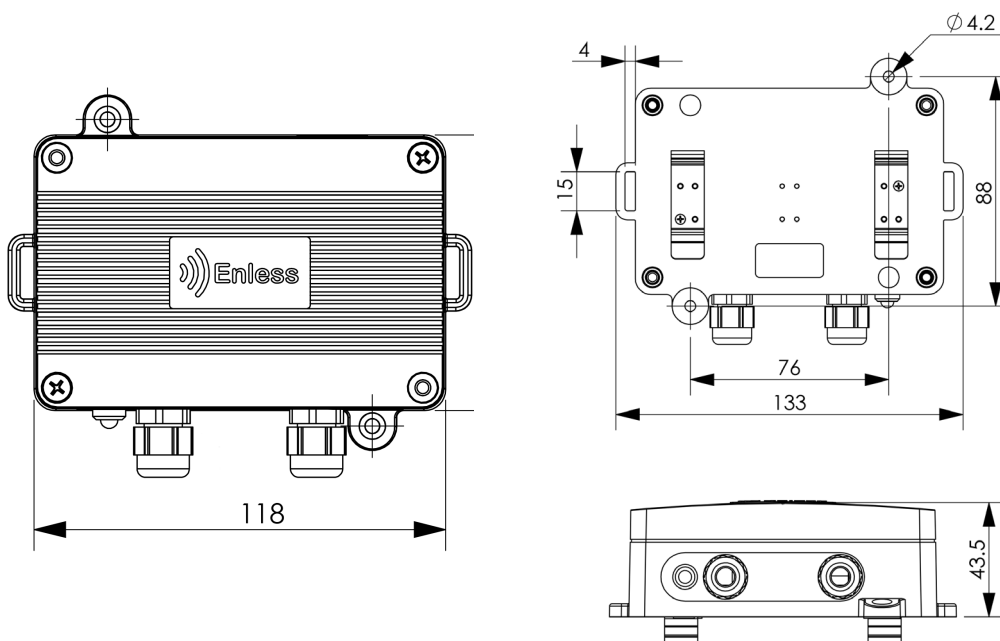
Configuration	No configuration required
Placement	Halfway between sensor(s) and receiver
Amplification capacity	No limits on the number of sensors that can be amplified by a repeater
Mesh	Possibility to chain multiple repeaters

Certifications



Innovation, Science and
Economic Development Canada

Dimensions (mm)



DTM99-a



+33 (0)5 56 35 97 47



contact@enless.fr



6 Bis Rue du Temple,
33000 Bordeaux, France



www.enless-wireless.com