

Industrial Sensors

4/20mA Analog Sensor

TX 4/20 600-135



- ✓ 4/20mA signal reading
- ✓ Indoor/outdoor environments
- ✓ LoRaWAN & Enless LoRa mode
- ✓ High-capacity type D battery
- ✓ Up to 20 years of autonomy
- ✓ Very long radio range

Technical Specifications

Physical Characteristics

Protection rating	NEMA 4 / IP65
Mounting	Wall / Clamp / DIN Rail
Operating temperature	-20 / +55°C
Operating relative humidity	10% - 90% (non-condensing)
Operating altitude	< 2000m
Operating pollution degree	3
Power supply	Replaceable Lithium 3.6V Type D Battery
Battery life	12 years for a transmission every 5 minutes (SF9)

Radio

Supported protocols	LoRaWAN (Class A) and Enless LoRa mode
Frequency	US915
Addressing	LoRaWAN = DEVEUI, APPEUI, APPKEY (OTAA) Enless LoRa mode = Enless LoRa ID
Encryption	LoRaWAN = AES128 Enless LoRa mode = No encryption
Transmission power	25mW (14 dBm)

Interface

4/20mA

Resolution	12 bits
Input	Terminal block
Power supply for 4/20mA probe	Recommended external power supply Power supply possible through the battery if <3.6V

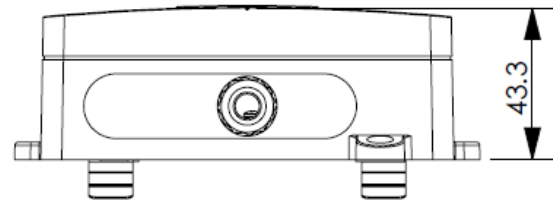
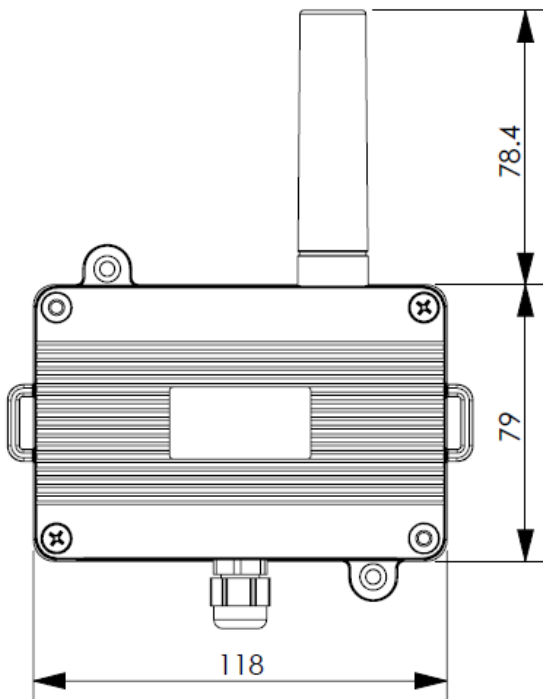
Certifications



Innovation, Science and
Economic Development Canada



Dimensions (mm)



DTM92-a