

Industrial Sensors

Contact Transmitter - State Reporting

TX CONTACT 600-139



- ✓ Detection of state changes (ON/OFF)
- ✓ Indoor/outdoor environments
- ✓ LoRaWAN & Enless LoRa mode
- ✓ High capacity D-type battery
- ✓ Up to 20 years of autonomy
- ✓ Very long radio range

Technical Specifications

Physical Characteristics

Protection rating	NEMA 4 / IP65
Mounting	Wall / Clamp / DIN Rail
Operating temperature	-20 / +55°C
Operating relative humidity	10% - 90% (non-condensing)
Operating altitude	< 2000m
Operating pollution degree	3
Power supply	3.6V Lithium D-type Battery - Replaceable battery
Battery life	12 years for sending every 5 minutes (SF9)

Radio

Supported protocols	LoRaWAN (Class A) and Enless LoRa mode
Frequency	US915
Addressing	LoRaWAN = DEVEUI, APPEUI, APPKEY (OTAA) Enless LoRa mode = Enless LoRa ID
Encryption	LoRaWAN = AES128 Enless LoRa mode = No encryption
Transmission power	25mW (14 dBm)

Interface

On-Off

Number of inputs	2 inputs
Input type	Dry Contact / Open Collector
Messages	Instantly on state change (open/closed) On periodic sending

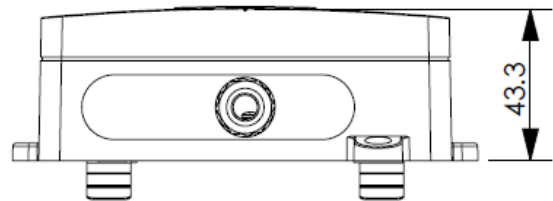
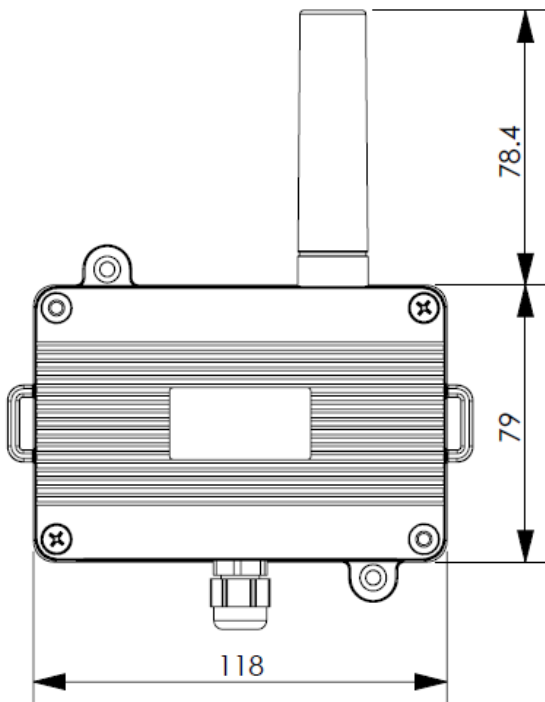
Certifications



Innovation, Science and
Economic Development Canada



Dimensions (mm)



DTM93-a