

# Smart Metering Sensors

## LED Flash Counting Sensor

TX PULSE LED 600-138



- ✓ Counting LED flashes from meters
- ✓ Indoor/outdoor environments
- ✓ Easy optical reading head installation
- ✓ LoRaWAN & Enless LoRa mode
- ✓ High-capacity D-type battery
- ✓ Up to 20 years of autonomy
- ✓ Very long radio range

### Technical Specifications

#### Physical Characteristics

Protection rating	NEMA 4 / IP65
Mounting	Murale / Collier / Rail DIN
Operating temperature	-20 / +55°C
Operating relative humidity	10% - 90% (non-condensing)
Operating altitude	< 2000m
Operating pollution degree	3
Power supply	Replaceable Lithium 3.6V D-type battery
Battery life	8 years for a transmission every 5 minutes (SF9)

#### Radio

Supported protocols	LoRaWAN (Class A) and Enless LoRa mode
Frequency	US915
Addressing	LoRaWAN = DEVEUI, APPEUI, APPKEY (OTAA) Enless LoRa mode = Enless LoRa ID
Encryption	LoRaWAN = AES128 Enless LoRa mode = No encryption
Transmission power	25mW (14 dBm)

## Interface

### LED Optical Reading Head

Flash type	All types of flash (except infrared)
Flash duration	Minimum 3ms - Maximum 100ms
Flash frequency	Maximum 10Hz
Number of inputs	1 input
Accessories	Supplied with an adhesive target for mounting on the meter

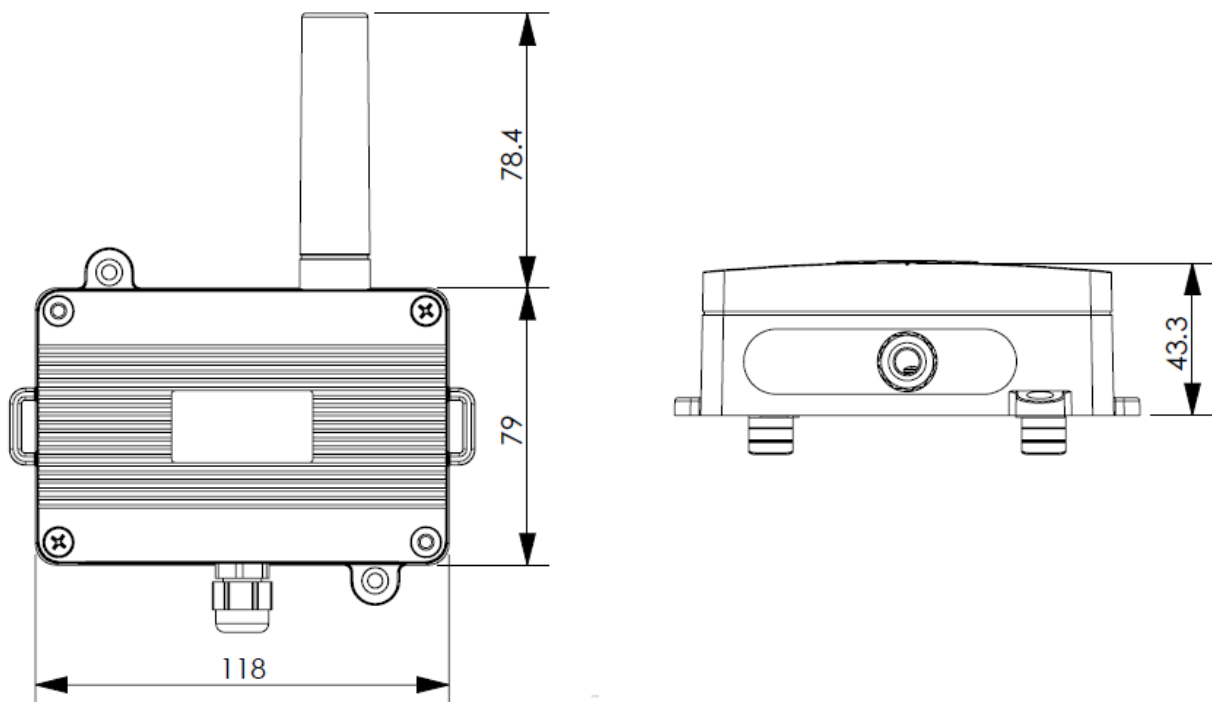
## Certifications



Innovation, Science and  
Economic Development Canada



## Dimensions (mm)



DTM95-a



+33 (0)5 56 35 97 47



contact@enless.fr



6 Bis Rue du Temple,  
33000 Bordeaux, France



www.enless-wireless.com