

# Temperature Measurement

## Temperature Sensor with External Contact Probe

TX TEMP CONT1 600-132



- ✓ PT1000 contact probe
- ✓ Indoor/outdoor environments
- ✓ IP65 rugged enclosure
- ✓ LoRaWAN & Enless LoRa mode
- ✓ High capacity type D battery
- ✓ Up to 20 years of autonomy
- ✓ Very long radio range

### Technical Specifications

#### Physical Characteristics

Enclosure protection rating	NEMA 4 / IP65
Mounting	Wall / Clamp / DIN Rail
Operating temperature	- 20 / + 55°C
Operating relative humidity	10% - 90% (non-condensing)
Operating altitude	< 2000m
Operating pollution degree	3
Power supply	3.6V Lithium D-type Battery - Replaceable Battery
Battery life	10 years for a transmission every 5 minutes (SF9)

#### Radio

Supported protocols	LoRaWAN (Class A) and Enless LoRa mode
Frequency	US915
Addressing	LoRaWAN = DEVEUI, APPEUI, APPKEY (OTAA) Enless LoRa mode = Enless LoRa ID
Encryption	LoRaWAN = AES128 Enless LoRa mode = No encryption
Transmission power	25mW (14 dBm)

## Measurements

Probe type PT1000 Contact Probe (2 wires)

## Temperature

Probe measurement range -180 / +250°C

Probe accuracy +/- 0.5°C

Probe resolution 0.1°C

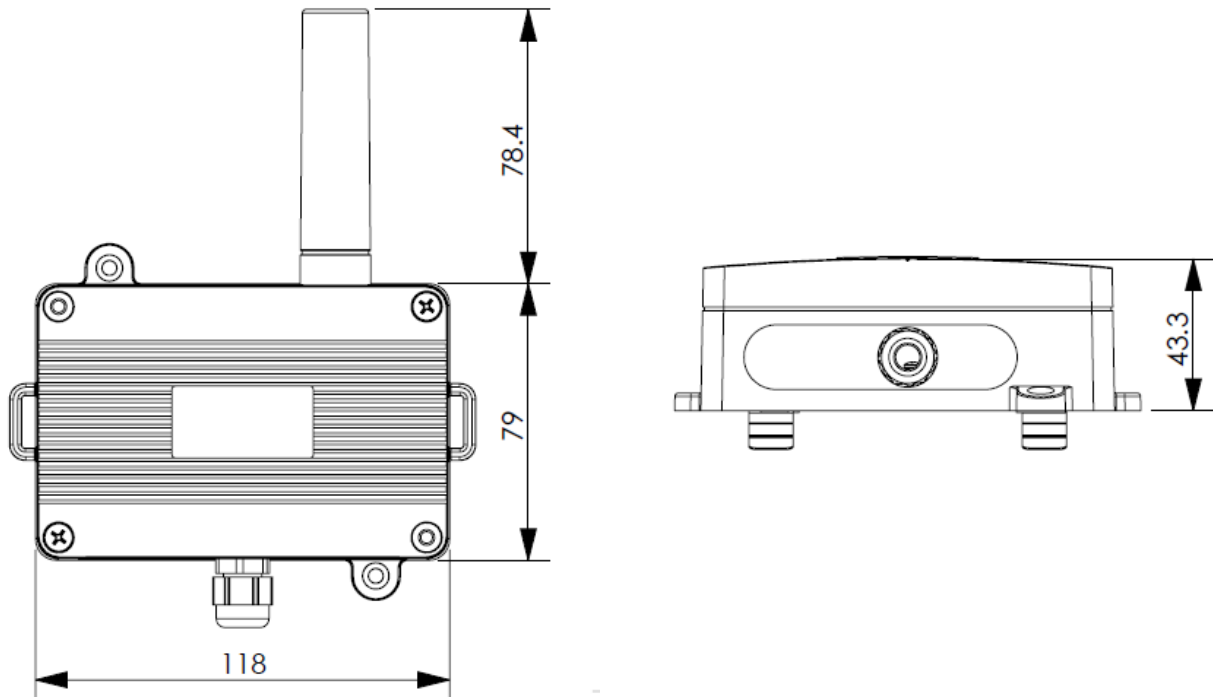
## Certifications



Innovation, Science and  
Economic Development Canada



## Dimensions (mm)



DTM89-a