

Temperature Measurement

Temperature Sensor with Double External Contact Probes

TX TEMP CONT2 600-332



- ✓ Double PT1000 contact probes
- ✓ Indoor/outdoor environments
- ✓ IP65 rugged enclosure
- ✓ LoRaWAN & Enless LoRa mode
- ✓ High-capacity D-type battery
- ✓ Up to 20 years of autonomy
- ✓ Long-range radio

Technical Specifications

Physical Characteristics	
Enclosure protection rating	NEMA 4 / IP65
Mounting	Wall / Clamp / DIN Rail
Operating temperature	- 20 / + 55°C
Operating relative humidity	10% - 90% (non-condensing)
Operating altitude	< 2000m
Operating pollution degree	3
Power supply	3.6V Lithium D-type battery - Replaceable battery
Battery life	10 years for sending data every 5 minutes (SF9)
Radio	
Supported protocols	LoRaWAN (Class A) and Enless LoRa mode
Frequency	US915
Addressing	LoRaWAN = DEVEUI, APPEUI, APPKEY (OTAA) Enless LoRa mode = Enless LoRa ID
Encryption	LoRaWAN = AES128 Enless LoRa mode = No encryption
Transmission power	25mW (14 dBm)

Measurements

Probe type Double PT1000 contact probes (2 wires)

Temperature

Probe measurement range -180 / + 250°C

Probe accuracy +/- 0.5°C

Probe resolution 0.1°C

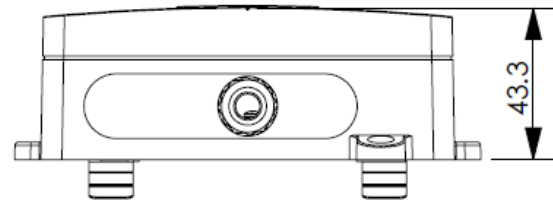
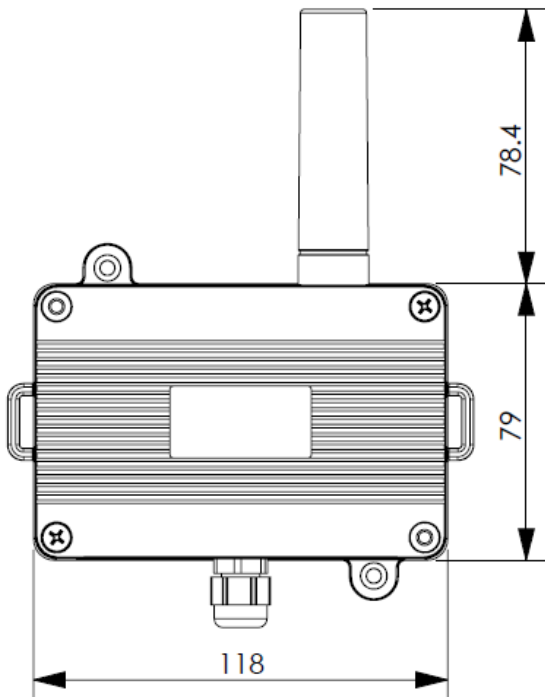
Certifications



Innovation, Science and
Economic Development Canada



Dimensions (mm)



DTM90-a



+33 (0)5 56 35 97 47



contact@enless.fr



6 Bis Rue du Temple,
33000 Bordeaux, France



www.enless-wireless.com