

Temperature Measurement

Rugged Temperature Sensor

TX TEMP INS 600-131



- ✓ Temperature measurement
- ✓ Indoor/outdoor environments
- ✓ LoRaWAN & Enless LoRa mode
- ✓ High-capacity D-type battery
- ✓ Up to 20 years of autonomy
- ✓ Very long radio range

Technical Specifications

Physical Characteristics

Protection rating	NEMA 4 / IP65
Mounting	Wall / Clamp / DIN rail
Operating temperature	-20 / +55°C
Operating relative humidity	10% - 90% (non-condensing)
Operating altitude	< 2000m
Operating pollution degree	3
Power supply	3.6V Lithium D-type battery - Replaceable battery
Battery life	10 years for a transmission every 5 minutes (SF9)

Radio

Supported protocols	LoRaWAN (Class A) and Enless LoRa mode
Frequency	US915
Addressing	LoRaWAN = DEVEUI, APPEUI, APPKEY (OTAA) Enless LoRa mode = Enless LoRa ID
Encryption	LoRaWAN = AES128 Enless LoRa mode = No encryption
Transmission power	25mW (14 dBm)

Measurements

Temperature

Sensor measurement range	-40 / +125°C
Sensor accuracy	+/- 0.2°C
Sensor resolution	0.1°C

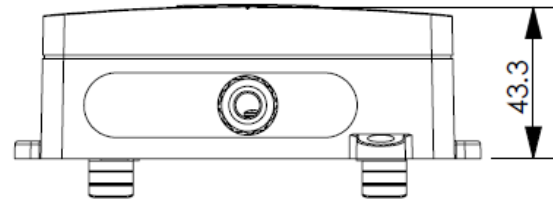
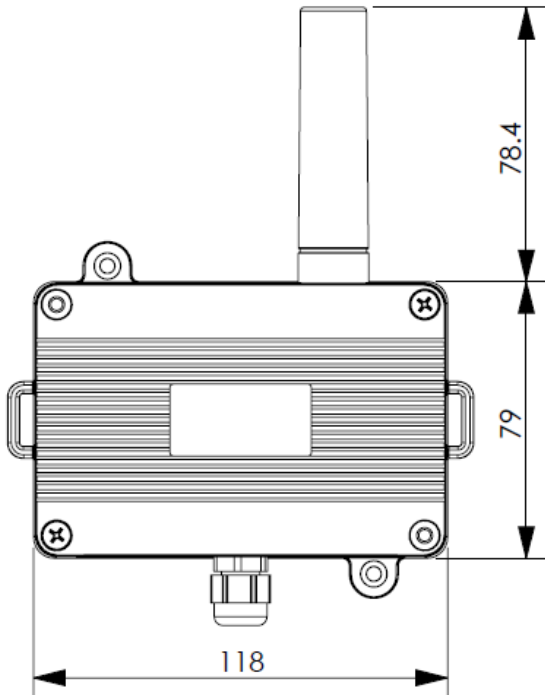
Certifications



Innovation, Science and
Economic Development Canada



Dimensions (mm)



DTM88-a



+33 (0)5 56 35 97 47



contact@enless.fr



6 Bis Rue du Temple,
33000 Bordeaux, France



www.enless-wireless.com