

## Industrial Sensors

### Leak Detection Sensor

TX CONTACT 600-139 + LEAK CABLE



- ✓ Water presence detection
- ✓ Indoor/outdoor environments
- ✓ LoRaWAN & Enless LoRa mode
- ✓ High capacity D-type battery
- ✓ Up to 20 years of autonomy
- ✓ Very long radio range

### Technical Specifications

#### Physical Characteristics

Protection rating	NEMA 4 / IP65
Mounting	Wall / Clamp / DIN Rail
Operating temperature	-20 / +55°C
Operating relative humidity	10% - 90% (non-condensing)
Operating altitude	< 2000m
Operating pollution degree	3
Power supply	3.6V Lithium D-type Battery - Replaceable battery
Battery life	12 years for sending every 5 minutes (SF9)

#### Radio

Supported protocols	LoRaWAN (Class A) and Enless LoRa mode
Frequency	US915
Addressing	LoRaWAN = DEVEUI, APPEUI, APPKEY (OTAA) Enless LoRa mode = Enless LoRa ID
Encryption	LoRaWAN = AES128 Enless LoRa mode = No encryption
Transmission power	25mW (14 dBm)

## Interface

### On-Off

Probe type	Liquid presence detection cable
Cable length	2 meters
Messages	Instantly on state change in the presence of water Periodic sending

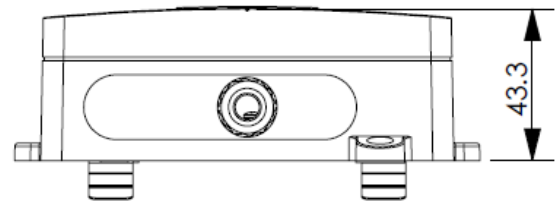
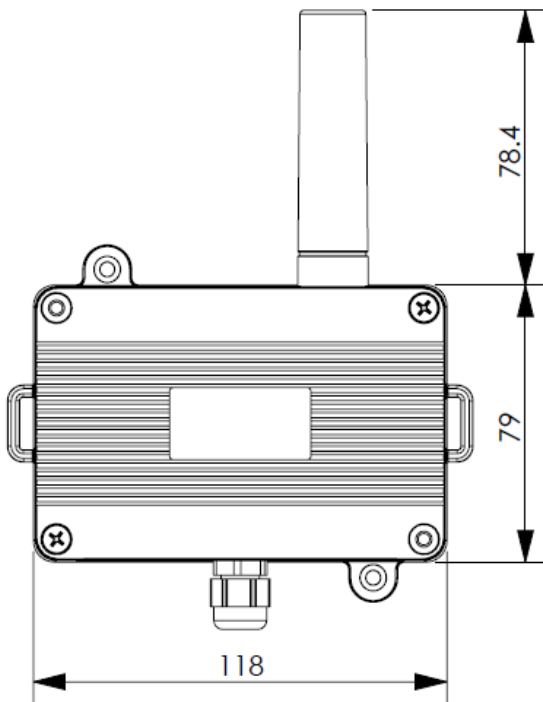
## Certifications



Innovation, Science and  
Economic Development Canada



## Dimensions (mm)



DTM93-a



+33 (0)5 56 35 97 47



contact@enless.fr



6 Bis Rue du Temple,  
33000 Bordeaux, France



www.enless-wireless.com