

LoRa Easy Signal Repeater

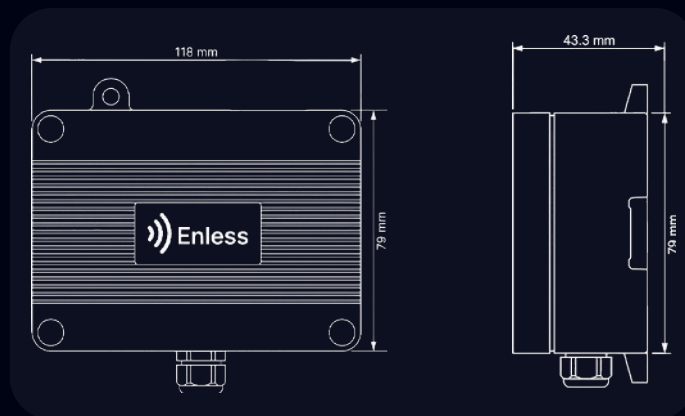
RX REPEATER 600-501



Description

The LoRa Easy signal repeater is designed to repeat the radio signal from Enless sensors when used in LoRa Easy mode, communicating with an Enless LoRa Easy receiver (Modbus, BACnet, or HTTP). It requires no configuration, is installed halfway between the sensors and the receiver, and will repeat all data frames it receives.

Dimensions



Radio

Protocol	LoRa Easy (Enless proprietary protocol)
Frequency	US915 (915MHz)
Radio Antenna	1/4 wave antenna provided To be connected to the SMA connector
Number of managed sensors	No limit Each received frame is repeated
Encryption	No encryption

Features

Protection index of the housing	Nema 2 / IP60
Installation	DIN Rail mount (DIN RAIL accessory 1000-005) Wall mounting
Operating temperature	-20 / +55°C
Antenna connector	SMA
Power supply	7.5 - 24V DC (typ. 12V 1A)

Usage

Configuration	No configuration required
Positioning	Ideally halfway between the sensors and the LoRa Easy receiver

Certifications

