

LoRaWAN CO2, temperature and ambient humidity sensor

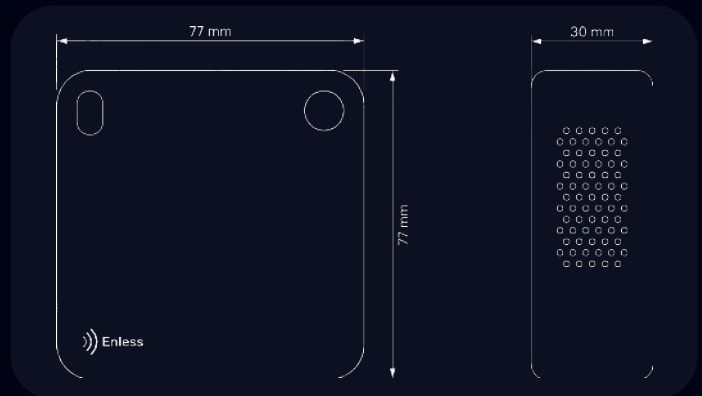
TX CO2 T&H AMB 600-053



Description

The Enless CO2, temperature, and humidity sensor is a 3-in-1 air quality sensor that measures the comfort parameters of the occupants in your buildings. Compatible with LoRaWAN and LoRa Easy (Enless proprietary protocol), its data can be sent directly to your monitoring system or building management system, without the need for cabling or heavy work.

Dimensions



Radio

| | |
|--------------------------|--|
| Supported protocols | LoRaWAN LoRa Easy (Enless proprietary protocol) |
| LoRaWAN Class | Class A |
| LoRaWAN Version | Version 1.0.4 RP002-1.0.3 |
| Frequency | EU868 (868 MHz) |
| Identifiers | LoRaWAN: DevEUI, AppEUI, AppKey LoRa Easy: LoRa ID |
| Transmission power | 25mW (14 dBm) |
| Encryption | AES128 in LoRaWAN mode |
| Measurement dissociation | Ability to dissociate temperature and humidity measurements from CO2 |

Features

| | |
|---------------------------------|--|
| Protection index of the housing | IP40 Indoor use |
| Mounting | Screwed or glued (double-sided adhesive provided) |
| Operating temperature | -20 / +55°C |
| CO2 visual indicator | Tricolour LED (configurable thresholds) |
| Power supply | Lithium Battery 3.6V type C (BAT C 1000-035) USB-C power supply possible |
| Battery life | 2 years for sending temperature, humidity, and CO2 every 30 minutes |
| Tamper detection | Accelerometer |
| Configuration | LoRaWAN: Downlink or via the MyEnless app LoRa Easy: From the receiver's server |

Measurements

| | |
|-------------|---|
| CO2 | Sensor measurement range: 0 - 5000 ppm Sensor accuracy: +/- 50 ppm |
| Temperature | Measurement range: -40 / + 125°C Accuracy: +/- 0.2°C Resolution: 0.1°C |
| Humidity | Sensor measurement range: 0 - 100% rH Sensor accuracy: +/- 2% rH Sensor resolution: 0.1% rH |

Certifications

