

# LoRaWAN Ambient Temperature and Humidity Sensor

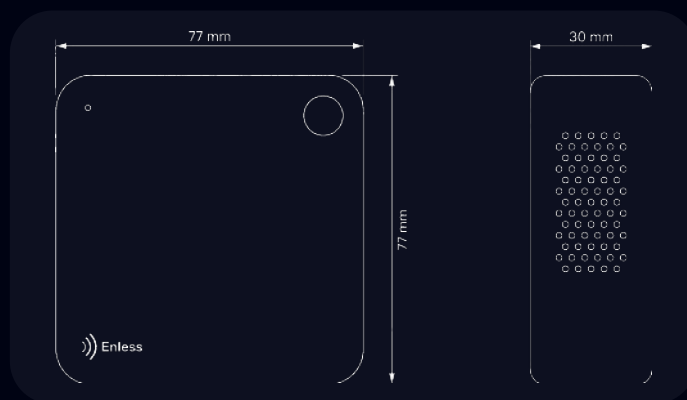
TX T&H AMB 600-051



## Description

The Enless ambient temperature and humidity sensor accurately measures the comfort of occupants in your buildings. Compatible with LoRaWAN and LoRa Easy protocols (Enless proprietary protocol), its data can be sent directly to your supervision system or building management system, without the need for cabling or heavy work.

## Dimensions



## Radio

Supported Protocols	LoRaWAN LoRa Easy (Enless proprietary protocol)
LoRaWAN Class	Class A
LoRaWAN Version	Version 1.0.4   RP002-1.0.3
Frequency	EU868 (868 MHz)
Identifiers	LoRaWAN: DevEUI, AppEUI, AppKey LoRa Easy: LoRa ID
Transmission Power	25mW (14 dBm)
Encryption	AES128 in LoRaWAN mode

## Features

Enclosure Protection Index	IP40 Indoor use
Mounting	Screwed or glued (double-sided adhesive provided)
Operating Temperature	-20 / +55°C
Power Supply	Lithium Battery 3.6V type C (BAT C 1000-035) USB-C power supply possible
Battery Life	5 years for a transmission every 5 minutes (SF9) Up to 15 years of autonomy
Tamper Detection	Accelerometer
Configuration	LoRaWAN: Downlink or via the MyEnless app LoRa Easy: From the receiver server

## Measurements

Temperature	Sensor measurement range: -40 / +125°C Sensor accuracy: +/- 0.2°C Sensor resolution: 0.1°C
Humidity	Sensor measurement range: 0 - 100% rH Sensor accuracy: +/- 2% rH Sensor resolution: 0.1% rH

## Certifications

