

LoRaWAN Thermostatic Valve

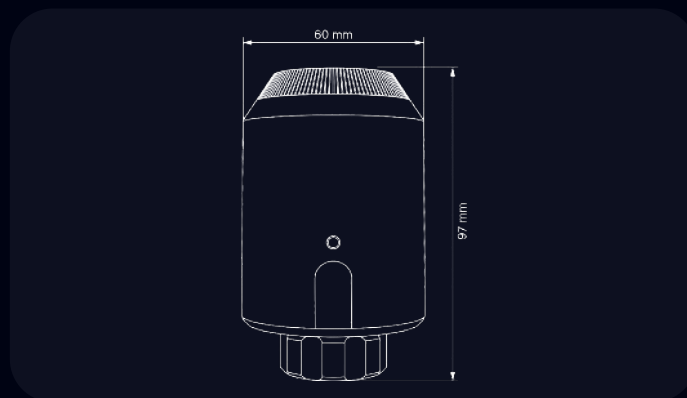
TX VALVE 600-060



Description

Designed to equip your water radiators, the LoRaWAN Enless thermostatic valve rigorously applies the instructions you send it. Whether you ask it to control the percentage of its motor's opening or to self-regulate to reach your target set temperature, the Enless thermostatic valve will reduce energy bills and improve occupant comfort.

Dimensions



Radio

Protocol	LoRaWAN
LoRaWAN Class	Class A
LoRaWAN Version	Version 1.0.4 RP002-1.0.3
Frequency	EU868 (868 MHz)
Identifiers	DevEUI, AppEUI, AppKey
Transmission Power	25mW (14 dBm)
Encryption	AES128

Features

Enclosure Protection Rating	IP40 Indoor use
Default Ring	M30 × 1.5
Available Accessories (not included)	Adapters (RA, RAV, RAVL, GIA, CAL, M28) Protective casing
Operating Temperature	-20 / +55°C
Power Supply	3x AA batteries (Li/FeS2) 1.5V
Battery Life	3 years for control every 15 minutes and summer mode activation 5 months/year
Configuration	Downlink or via the MyEnless app

Features

Display	LEDs displaying the target temperature
Temperature Sensor	Accuracy: +/- 0.2°C Resolution: 0.1°C
Control Types	Mode 1: Opening Percentage Mode 2: Self-regulation Algorithm
Temperature Selection	Rotary Knob
Other Features	Motor Calibration Sending test frames Valve locking Open window detection Anti-jamming Display orientation Summer mode Fail Safe

Certifications

